

# KombiSIGN 71 - Audible Elements



Buzzer element



Siren element ClassicLOOK

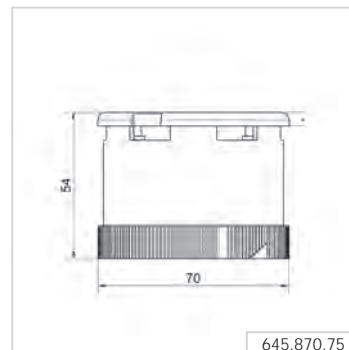
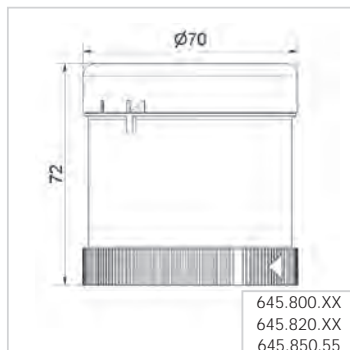


Siren element DesignLOOK

## ① TECHNICAL SPECIFICATIONS/ORDER SPECIFICATIONS:

Dimensions (Ø x Height):	See below		
Lens:	PC		
Protection rating:	IP 65		
Life duration:	5,000 hrs		
<b>Buzzer element</b>			
Dimensions (Ø x Height):	70 mm x 72 mm		
Sound output:	85 dB (A)		
Number/Tone type:	Continuous or pulse tone		
Voltage:	24 V AC/DC	115 V AC	230 V AC
Current consumption:	< 35 mA	< 25 mA	< 25 mA
Order no.:	<b>645 800 75</b>	<b>645 800 77</b>	<b>645 800 68</b>
<b>Siren element</b>			
Dimensions (Ø x Height):	70 mm x 54 mm		
Sound output:	95-105 dB (A), adjustable by slide switch		
Number/Tone type:	Continuous tone, alternating tone, selectable by slide switch		
Voltage:	24 V AC/DC		
Current consumption:	< 40 mA		
Order no.:	<b>645 870 75</b>		
<b>Siren element 8 tones</b>			
Dimensions (Ø x Height):	70 mm x 72 mm		
Sound output:	92-102 dB (A), adjustable sound output		
Number/Tone type:	8 tones		
<b>ClassicLOOK</b>			
Voltage:	24 V AC/DC	115-230 V AC	
Current consumption:	< 30 mA	< 45 mA	
Order no.:	<b>645 890 75</b>	<b>645 890 60</b>	
<b>DesignLOOK</b>			
Voltage:	24 V AC/DC	115-230 V AC	
Current consumption:	< 30 mA	< 45 mA	
Order no.:	<b>645 790 75</b>	<b>645 790 60</b>	
<b>Multi-functional Siren, with external control</b>			
Dimensions (Ø x Height):	70 mm x 72 mm		
Sound output:	100 dB (A), adjustable sound output		
Number/Tone type:	Number of tones dependent on the number of optical elements		
Tone triggering:	7 diff. tones can be triggered externally		
Voltage:	24 V DC		
Current consumption:	< 80 mA		
Order no.:	<b>645 850 55</b>		

## ↔ TECHNICAL DIAGRAMS:



645.800.XX

645.870.75

645.820.XX

645.850.55

24 V

645.870.75  
645.770.75  
645.890.xx  
645.790.xx

